



# FJ CRUISER POWER CONTROL SWITCH

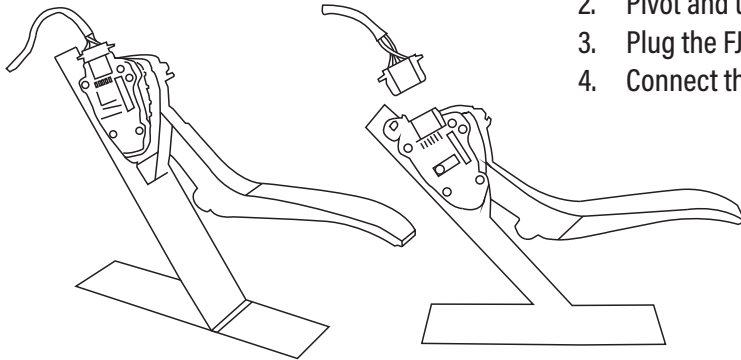


## Product Features

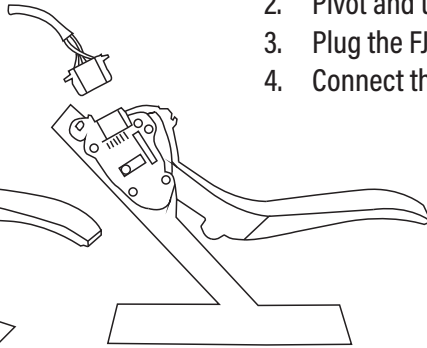
1. Easily adjust the original car ECU parameters.
2. Plug & Play with the original car port.
3. Reduce and save up to 3 - 8% fuel efficiency.

## Installation

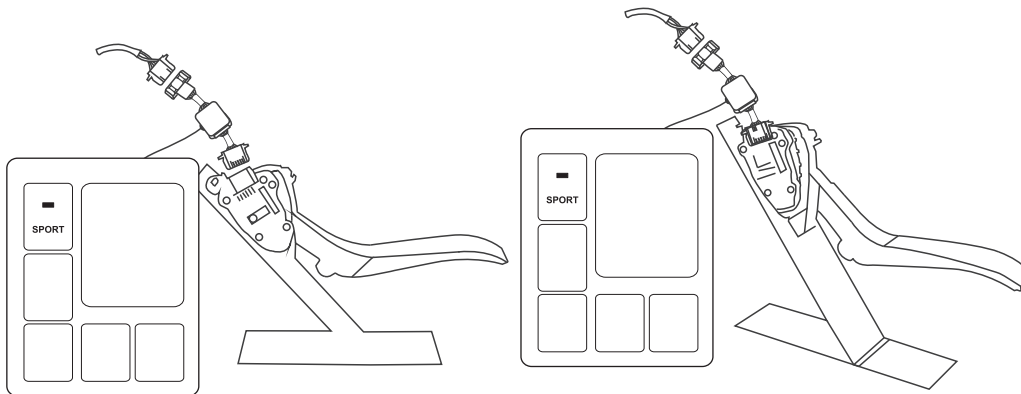
1. The automotive power control host is installed by the car accelerator pedal.
2. Pivot and unplug the car accelerator pedal. (Figure 1 & 2)
3. Plug the FJ's power control host into the pedal intererance. (Figure 3)
4. Connect the car's power controller. (Figure 4)



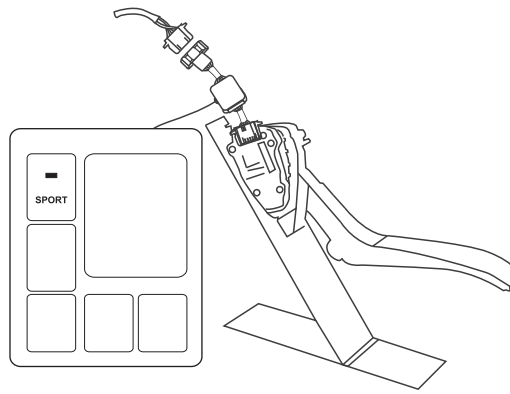
**Figure 1**



**Figure 2**



**Figure 3**



**Figure 4**

## Modes

**Original** The FJ's original settings.

**Eco** A fuel efficient mode.

**Sport** A sporty mode, with more pedal feel.

**Race** For those who like to drive close to red-line.